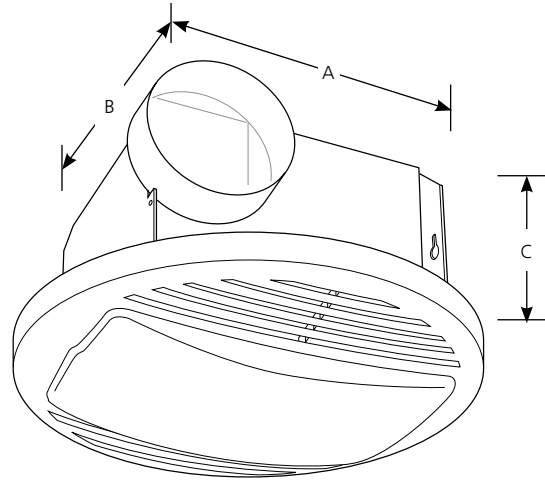


Type _____
 -30
 PV004

Catalog No.	Finish		Lamping Capacity	Sones	Volts	Amps	Housing Dimensions (Inches)		
	White	Lamping					A	B	C
PV004	-30	1-100 (m)	70 CFM	3.5	120v	1.98a	7-3/4	6-3/4	5-3/4



Specifications:

Trim/Grille

- One piece white polymeric plastic
- Single hidden center mount to housing
- Dimensions – 12-1/2" dia., 1-3/4" deep (Including diffuser)

Diffuser

- White Acrylic
- Snaps into Trim,/Grille

Housing

- Mounts to ceiling joists, or in a suspended ceiling
- Can be mounted in sloped ceilings up to 12/12 pitch
- Galvanized steel
- 26 gauge
- Mounting brackets with keyhole slots, and holes for ceiling wires
- Removable wiring cover for easy connections
- Internal wiring plate allows either top or side hole for conduit or BX fitter
- No KO's to remove
- Polymeric 4" round duct fitting for positive connection
- Quiet polymeric damper to prevent cold backdrafts with no metallic clatter

Motor

- 120 volt, 1.15 amp, permanently lubricated
- Plug in for ease of servicing
- Snaps in or out for ease of cleaning and servicing – no screws
- Specially designed polymeric blower wheel

Lamping

- 100 watt lamp
- Medium based socket

Labeling

- cCSAus listed.
- Listed for use in insulated ceilings (IC listed)
- Can be used over bathtubs and showers when connected to a GFCI protected branch circuit

Note: Product performance is rated at 0.1 in. static pressure, based on tests conducted in AMCA's state of the art test laboratory. Sones are a measure of humanly perceived loudness based on laboratory tests.