



Incandescent

Meeting Street

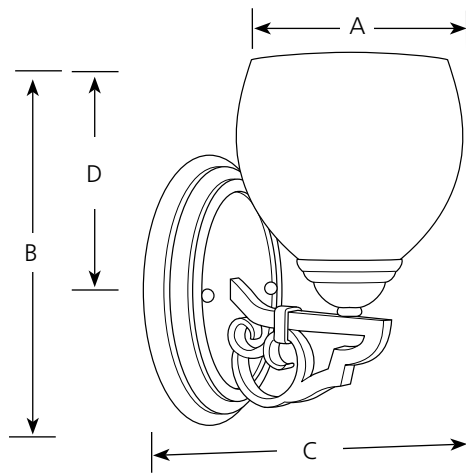
Bath and Vanity

Type \_\_\_\_\_

-80 -102

P2746

Catalog No.	Finish		Lamping	Dimensions (Inches)			
	Forged Black	Roasted Java		A	B	C	D
P2746	-80	-102	1 (m) 100w	6-1/8	10-1/4	8	6-1/2



**Specifications:**

General

- Antique swirl art glass, 6-1/8" dia. x 5-5/8" tall, 1-5/8" dia. center hole
- Concealed shade retainers
- Square arms and decorative scroll work support shades
- Painted forged black (-80), or roasted Java (-102) finishes
- Steel construction
- Can be mounted in the "up" or "down" position

Mounting

- Backplate is 7-5/8"W x 5-1/4" T x 1-1/4" deep
- Oval wall mount
- Canopy Covers a standard 4" octagonal recessed outlet box
- Mounting strap for outlet box included

Electrical

- Pre-wired
- Ceramic medium based sockets

Labeling

- UL-CUL damp location listed

Progress Lighting  
701 Millennium Blvd.  
Greenville, South Carolina  
29607

www.progresslighting.com